

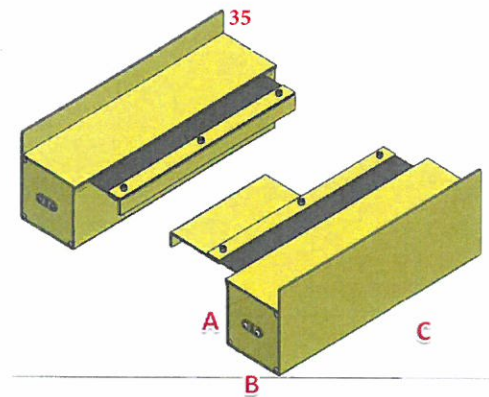
Repar2  
 Via A.Colombo 176  
 21055 Gorla Minore (Va) Italy  
 Phone: +39 0331 465727 Fax: +39 0331 465728  
 Website: www.repar2.com E-mail:info@repar2.com  
 Exp.Dept. Ph:+39 02 33103673-Fax:+39 02 312337  
 E-mail:info@eig-group.it

## Roll blinders for lathe lead-screw - Model AR

### Fabric length/height + Box Dimensions

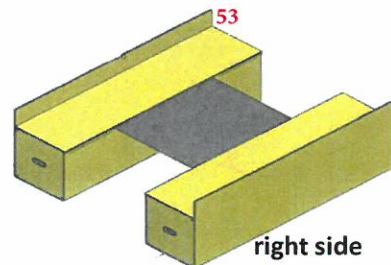
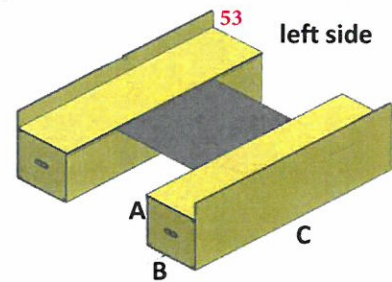
Pair of AR 500 x H100 - Box A60xB60xC120  
 Pair of AR1000x H150 - Box A75xB75xC200  
 Pair of AR1500 x H150 - Box A75xB75xC200  
 Pair of AR1500 x H200 - Box A75xB75xC275  
 Pair of AR2000 x H200 - Box A75xB75xC275  
 Pair of AR3000 x H250 - Box A80xB80xC300

Pair of AR4000 x H250 - Box A105xB105xC300  
 Pair of AR5000 x H250 - Box A105xB105xC350  
 Pair of AR4000 x H300 - Box A105xB105xC350  
 Pair of AR5000 x H300 - Box A105xB105xC400  
 Pair of AR6000 x H350 - Box A140xB140xC450



Fabric length/height+ box dimens. for LONG AR  
 Every supply includes 4 boxes and 2 fabric rolls

2 Pair of AR7000DB x H300 (Every AR side has 2 boxes)  
 Boxes A150 x B150 x C600  
 2 Pair of AR8000DB x H300 (Every AR side has 2 boxes)  
 Boxes A150 x B150 x C600



**AVAILABLE FROM STOCK, subject to sale.**

Resale conditions: as usual.

[www.repar2.com](http://www.repar2.com)

- Para-Aramide/Polyurethane.
- High Performance fabric for machine bellows (with hot metal shavings, welding sparks, abrasive environment).
- Important mechanical characteristics (tear, abrasion, perforation, durability...).
- Heat weldable (internal face grey weldable, external face matt anthracite colour).  
Good deadfold.
- Flame retardant (flame retardant coating on FR substrate).
- Good resistance to greases and oils used for cutting.

**Backing :** ARAMIDE 190 g/m<sup>2</sup>

**Thickness :** 35 +/- 3/100<sup>TH</sup>  
Norm ISO 2286

**Coating :** POLYURETHANE 2 sides

**Width :** 160 cm  
Norme ISO 2286

**Total weight :** 400 +/- 20 g/m<sup>2</sup>

**Colour :** GREY/BLACK

Norm ISO 2286

**Embossing :** NO EMBOSSING

Characteristics of the product		Figures	Units	Norms
Tensile strength	Warp	≥ 750	DaN/50 mm	ISO 1421/1
	Weft	≥ 650	DaN/50 mm	DIN 53 354
Initiated tear strength	Warp	≥ 15	DaN/43 mm	ISO 4674-2
	Weft	≥ 10	DaN/43 mm	NF G 37 128-2
Adhesion by HF welding Internal procedure LAB02		≥ 5 on grey side	DaN/50 mm	ISO 2411 NF G37-107
Foldings / 1000 g		≥ 1400	FOLDINGS	NF G 37 110/A ISO 5981
Water tightness EN 1734 DIN 53886		≥ 0,2	BAR	NF G 37 106 ISO 811
Fire resistance		B	CLASS	NF G 07 184/1